

wall mounting socket outlet - housing dimensions 87x64



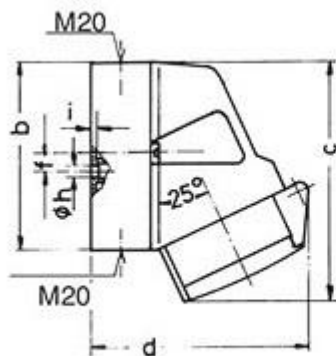
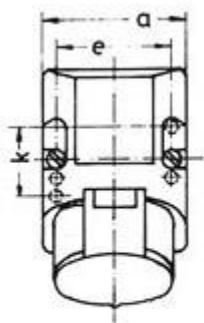
| Product description | |
|---------------------------|--------------------------------|
| BALS-Prd.-Nr | 11304 |
| EAN | 4024941113045 |
| Product group | GT wall mounting socket outlet |
| Current | 16A |
| Number of poles | 3p |
| Arrangement of the phases | 2P+PE |
| Earth 'clock' position | 6 h |
| Voltage | 200 up to 250V |
| Frequency | 50 and 60Hz |

| Product description | |
|------------------------|---|
| Protection degree | IP44 |
| Colour code | blue |
| Colour of appliance | Collar blue, Hinged lid blue, Housing bottom grey, Housing top grey |
| Connection design | screw terminal |
| Maximum conductor size | 4,0 qmm |
| Cable entry | 1x Top entry M20 1x Bottom entry M20 |
| Dimension of enclosure | 87x64 mm (HxW) |
| Material of enclosure | Polyamide |
| Contacts | The contact carrier is made of polyamide, The contacts are brass |

| Additional technical information | |
|----------------------------------|---|
| | The cable entry is one at top open and one at bottom and one rear side closed |
| | Lower part of housing rotatable by 180° |

| Logistics data | |
|----------------|------------------|
| Weight/pcs | 0.197 kg / piece |
| Packaging | bag |
| Content amount | 1 ST |
| EAN | 4024941113045 |
| Length | 410 mm |
| Width | 285 mm |

| Logistics data | |
|----------------|---------------|
| Weight | 0.197 kg |
| Packaging | carton |
| Content amount | 10 ST |
| EAN | 4024941819633 |
| Length | 258 mm |
| Width | 183 mm |
| Height | 212 mm |
| Weight | 2.122 kg |
| Volume | 8,750 ccm |



| Amperes Poles | 16 | | |
|-------------------------------|-----|-----|-----|
| | 3 | 4 | 5 |
| a | 64 | 75 | 75 |
| b | 87 | 100 | 100 |
| c | 117 | 129 | 131 |
| d | 103 | 108 | 116 |
| e | 51 | 59 | 59 |
| f | - | 11 | 11 |
| h | 4.1 | 5.1 | 5.1 |
| i | 4.5 | 4.5 | 4.5 |
| k | 40 | - | - |
| Conductor mm ² min | 1.5 | 1.5 | 1.5 |
| Conductor mm ² max | 4 | 4 | 4 |